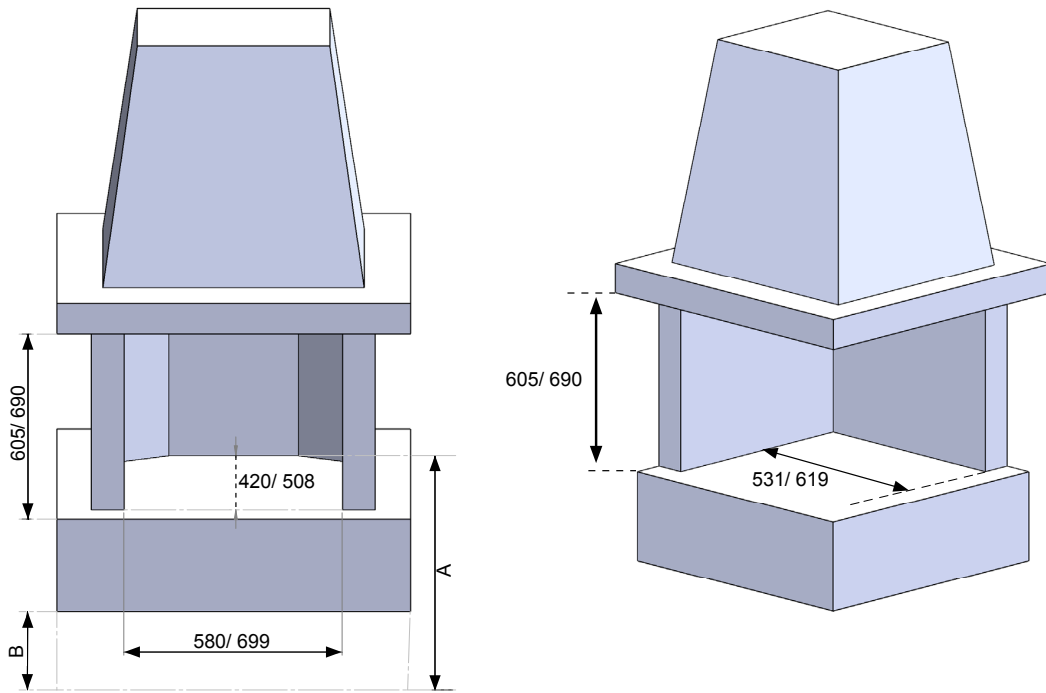


Measurements

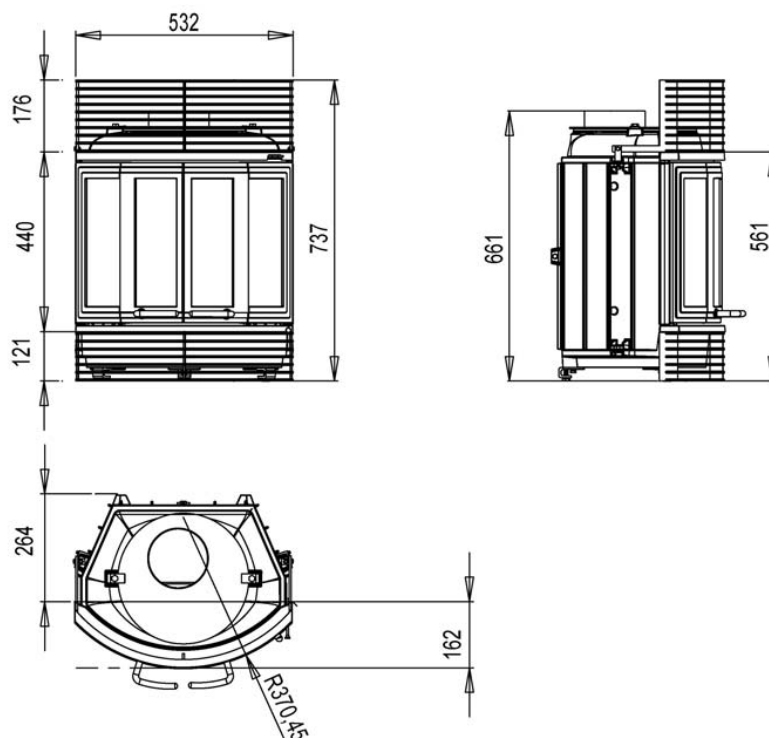
CASSETTE NI-22, NI-25



FIG 1 = MM



NI-22 = MM

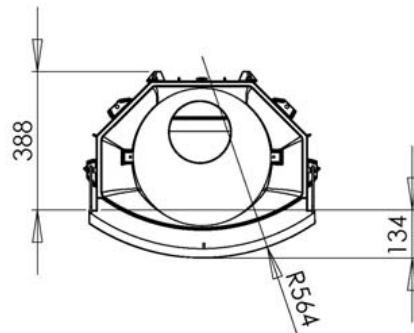
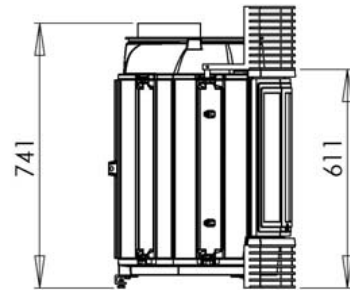
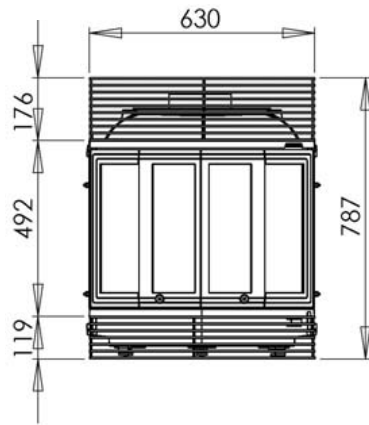


Measurements

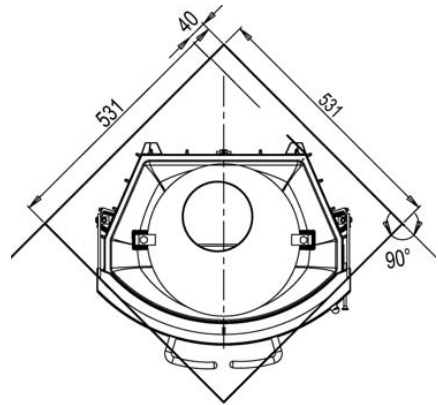
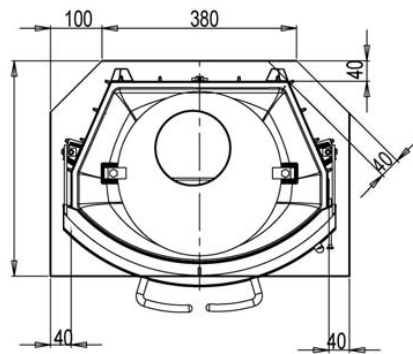
CASSETTE NI-22, NI-25



NI-25 = MM



NI-22 = MM



NI-254 = MM

