
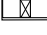


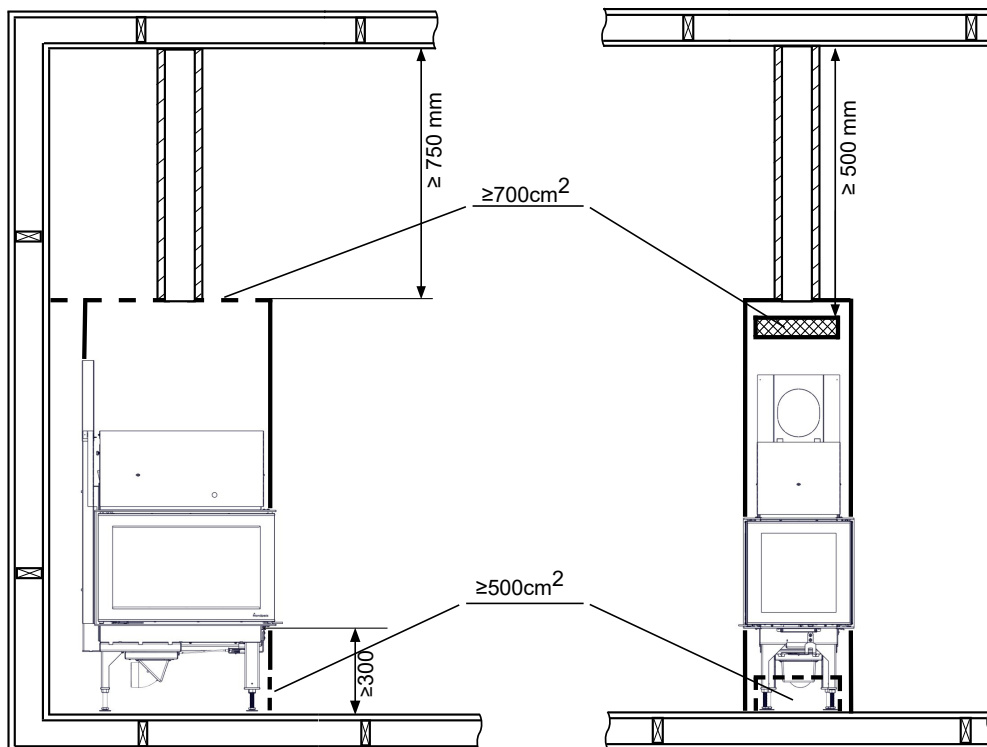
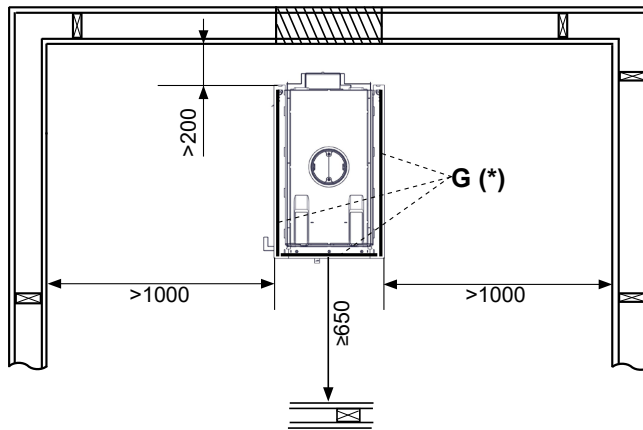
Safety distances

N-29P

 Nordpeis

FIG 1 = MM

-  = Brannmur/ Brandmur/ Palomuri/ Firewall
-  = Brennbar materiale/ Brændbart materiale/ Brännbart material/ Tulenarka materiaali/ Combustible material
- (*) **G** = glass side / glassidan / sivulasit /


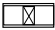


Safety distances

N-29P

 Nordpeis

FIG 2 = MM

-  =Firewall/ Hitzenschutzwand / Mur parfeu / Parete non combustibile / Palomuuri
-  =Combustible material / Brennbarem Material / Matières combustibles/ Parete combustibile / Tulenarka materiaali

