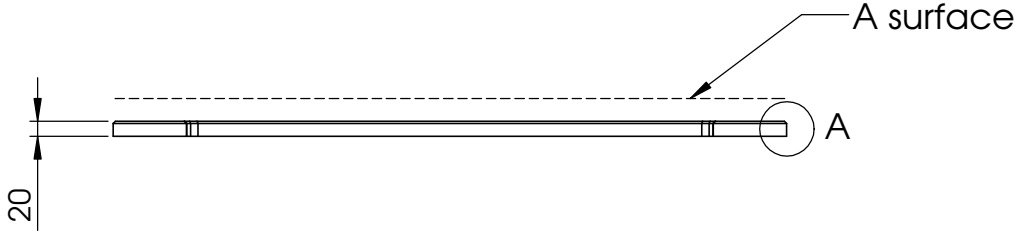
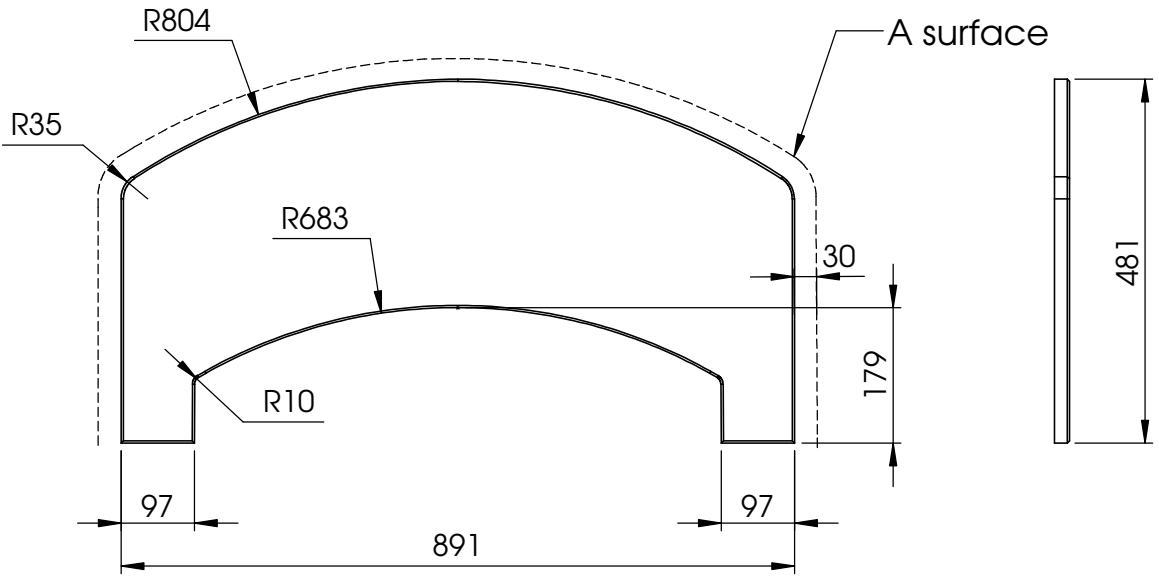


A



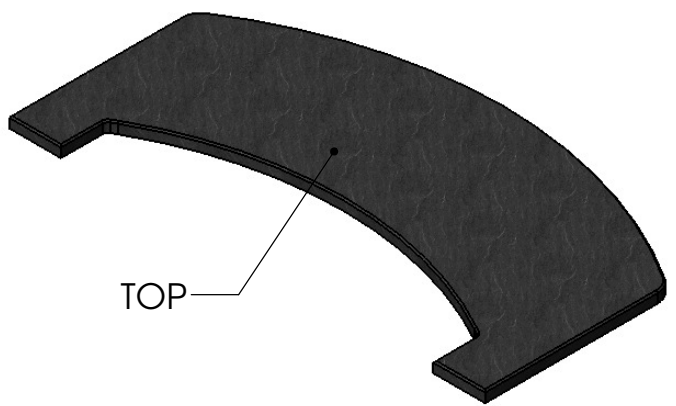
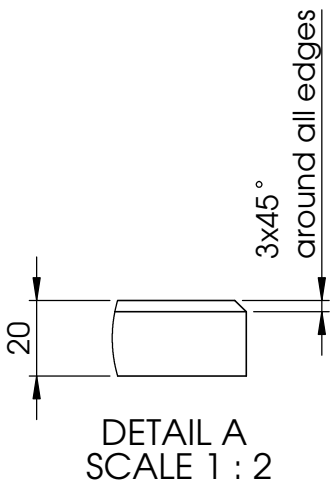
B



C

D

E



Keen edges to blunt
 For supplementary geometric shape refer to CAD file.
 Where tolerances not are given ± 2 mm apply
 A surface: polished surface and free from defects

This document is Nordpeis (Northstar Sp. z o.o.) exclusive intellectual property. It must be treated as strictly confidential and must not be copied or communicated to any third person without Nordpeis (Northstar Sp. z o.o.) written permission

F

1	26-00017-201 - Marmur slab ruivina 20 mm	1	pcs	0.000	m2	
NUMBER	ELEMENT	QUANTITY	UNIT	SURFACE/PCS	UNIT	REMARK

	NAME	SIGNATURE	DATE
DRAWN	K.Koscielnik		2011-08-31
CHKD	P.Żabiński		2011-12-12
APPV'D	Ł.Kęsy		2011-12-12

Nordpeis

WEIGHT: 14.79 (kg)

NAME:	MF-AKN00-201 Akropolis floor	A4
MATERIAL: Marmur slab ruivina	Q0	SHEET 1 OF 1
		SCALE:1:10